



Agilent Zero Volt Electronic Load

Product Note

Introduction

Low voltage power supply testing requirements present unique challenges that are described in this product note. Increasing demand for lower voltage power supplies is pressuring test system designers to identify electronic load test equipment designed to adequately perform at these lower voltages. Additionally, information is presented on how to configure Agilent Technologies Electronic Loads to perform accurate dynamic loading completely down to zero volts.

Challenges of loading low voltage power sources

Most electronic loads have limited operation below three volts. Some manufacturers claim to have “zero volt loads” regardless of the limitations. These limitations are easier to understand by looking at the simplified diagram of a typical electronic load Figure 1. The FET acts like a shunt resistor across the power supply under test. As the transistor turns on harder it draws more current from the power supply under test. The power generated by the power supply is therefore dissipated in the load transistor. As long as the power supply output voltage is sufficient to bias the load transistor everything works fine. However, if the power supply voltage across V_{ds} is low, about 3 volts or less, the load transistor can no longer regulate the current. At the

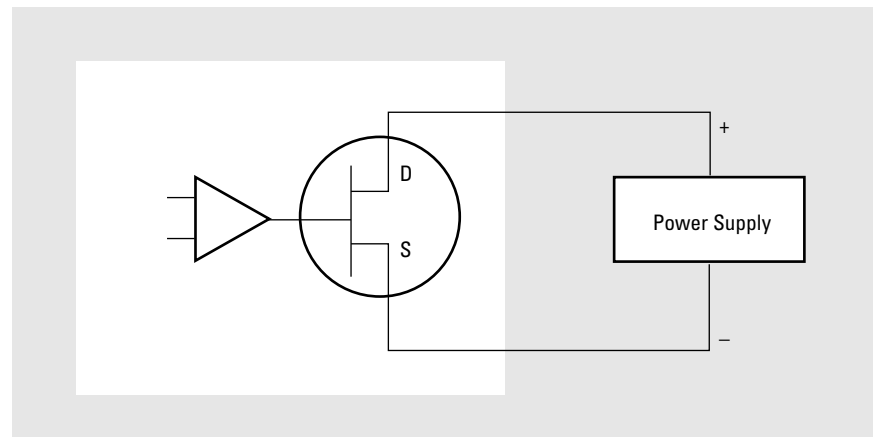


Figure 1. Electronic Load Model

point V_{ds} minimum is reached, the load transistor is turned on to full saturation and the load it presents to the Power Supply under test is simply its saturation resistance, R_{dson} . The resultant operating curve is illustrated in Figure 2 for a standard Agilent N3304A Electronic Load. Notice from Figure 2 that below 3 volts the load can be used at reduced current but it will have poor dynamic (transient) response due to the fact that the transistor is in saturation.

An additional problem in testing low voltage power supplies is that the power supply may need to have a higher voltage than the load's minimum input voltage specification. The reason is that you must account for the voltage drops in the load leads. Further complicating the issue, lower voltage power supplies often are

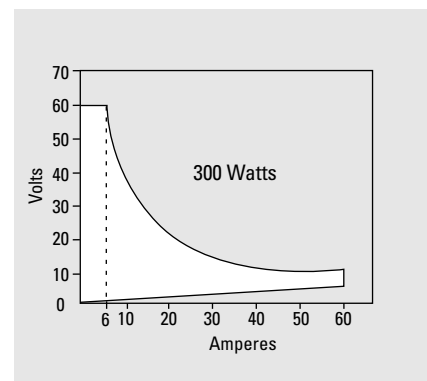


Figure 2. Agilent N3304A normal operating curve

designed to deliver substantially higher currents. In some cases it is difficult to test even a five volt high current supply because of $I \cdot R$ voltage drops in the + and - load leads, relays, and interconnections, as over two volts can be lost in the loop.



Agilent Technologies

Innovating the HP Way

A possible solution

A feasible solution to the low voltage dilemma is to insert an auxiliary boost power supply in series with the electronic load and the power supply under test as shown in Figure 3. Note that, to operate correctly in constant voltage mode, the electronic load must have its remote voltage sense leads connected across the power supply under test. The auxiliary supply can be a low-cost fixed output 3V to 5V power supply with current rating at least as high as the maximum peak load current needed. While this configuration will compensate for the load minimum voltage requirement and voltage drop in the power leads it has some disadvantages explained in the following configuration considerations section.

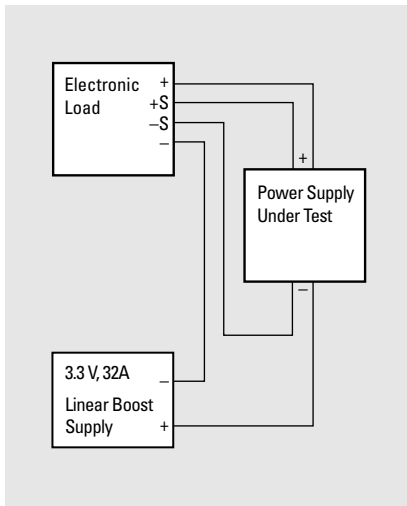


Figure 3. Zero Volt Load connections

Configuration considerations

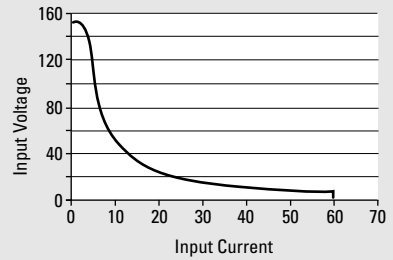
First, any current noise from the auxiliary boost supply will affect noise measurements made on the power supply under test. This can be accounted for by selecting a supply with suitably low noise specifications.

Second, the electronic load now has to dissipate the power from both the power supply under test and the boost supply. Therefore, a higher power load may be necessary if the full rated power was originally required from the load. For example, to test a 300 watt power supply a 300 watt load would not have enough capability to dissipate the power generated by both supplies. However, a load that is larger than the rating of the power supply under test could be used if it was rated high enough to dissipate power from both supplies. In that case, the new zero volt load combination would have a total power rating that is lower than the original load.

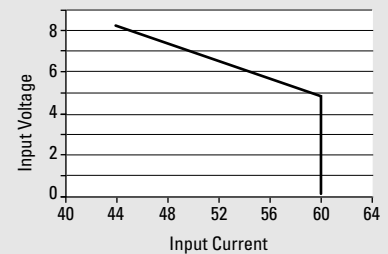
Third, there is a potential that the boost supply could reverse bias the power supply under test as the voltage across the load decreases. This can occur, for example, when the power supply under test can no longer maintain its output voltage because it is in overcurrent protection mode. To protect against potential reverse biasing of the power supply under test a special detection circuit must be designed into the electronic load as described in the following paragraphs.

Specifications

Operating Region*



Operating Region Low Voltage Detail*



* Curves shown reflect operation with a 3.3 auxiliary power supply not provided with a detection circuit.

Zero Volt Loads now available

Agilent Technologies now has a zero volt load solution that includes an electronic load that can be used with an auxiliary boost power supply. This capability is included on standard models in the new N3300A family. Option J04 modifies the Agilent 60501B, 60502B, 60503B, 60504B, or 60507B. Either way, a reverse protection circuit is added to protect the power supply under test when used with an auxiliary boost power supply. The built-in reverse protection circuitry utilizes the voltage sense capability of the electronic load to measure the voltage across the power supply under test as shown in Figure 3. The voltage information from the sense leads is used by the load to limit the current in the circuit and prevent the power supply under test from becoming reversed biased. Option J04 is a factory available option which must be specified at the time of ordering. While this solution can be used with any suitable boost supply, we have tested this solution with the 6032B and the Acopian model A3.3H3200, 3.3 volt, 32 ampere linear output power supply as a boost supply. Detailed information about the Acopian supply can be found at www.acopian.com/single-l-goldbox-1to5vt.html. Ordering information can be found at www.acopian.com

The N3304A or the 60502B Option J04 is rated for 300 watts by itself but the total solution consisting of the load and auxiliary supply is limited to 150 watts at full current as shown in Figure 4. Total power available can be calculated by:

$$P_{\text{available}} = P_{\text{load}} - I_L \cdot V_{\text{AUX}}$$

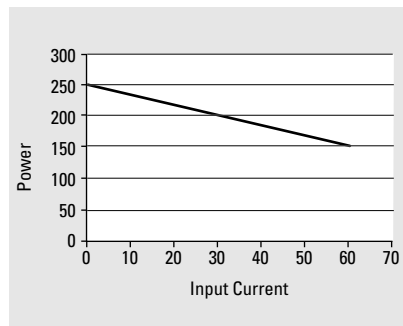


Figure 4. Power Available for Loading the Device Under Test

Ordering information

For further information and specifications visit www.agilent.com/info/loads1 for a listing of module data sheets.

For more information, call your local Agilent sales office listed in your telephone directory or an Agilent regional office listed here for the location of your nearest sales office.

A current listing is also available via the internet at: www.agilent.com/find/tmdir

Agilent Technologies' Test and Measurement Support, Services, and Assistance

Agilent Technologies aims to maximize the value you receive, while minimizing your risk and problems. We strive to ensure that you get the test and measurement capabilities you paid for and obtain the support you need. Our extensive support resources and services can help you choose the right Agilent products for your applications and apply them successfully. Every instrument and system we sell has a global warranty. Support is available for at least five years beyond the production life of the product. Two concepts underlie Agilent's overall support policy: "Our Promise" and "Your Advantage."

Our Promise

"Our Promise" means your Agilent test and measurement equipment will meet its advertised performance and functionality. When you are choosing new equipment, we will help you with product information, including realistic performance specifications and practical recommendations from experienced test engineers. When

you use Agilent equipment, we can verify that it works properly, help with product operation, and provide basic measurement assistance for the use of specified capabilities, at no extra cost upon request. Many self-help tools are available.

Your Advantage

"Your Advantage" means that Agilent offers a wide range of additional expert test and measurement services, which you can purchase according to your unique technical and business needs. Solve problems efficiently and gain a competitive edge by contracting with us for calibration, extra-cost upgrades, out-of-warranty repairs, and on-site education and training, as well as design, system integration, project management, and other professional services. Experienced Agilent engineers and technicians worldwide can help you maximize your productivity, optimize the return on investment of your Agilent instruments and systems, and obtain dependable measurement accuracy for the life of those products.

By internet, phone, or fax, get assistance with all your test and measurement needs.

Online Assistance

www.agilent.com/find/assist

Phone or Fax

United States:

(tel) 1 800 452 4844

Canada:

(tel) 1 877 894 4414

(fax) (905) 206 4120

Europe:

(tel) (31 20) 547 2323

(fax) (31 20) 547 2390

Japan:

(tel) (81) 426 56 7832

(fax) (81) 426 56 7840

Latin America:

(tel) (305) 269 7500

(fax) (305) 269 7599

Australia:

(tel) 1 800 629 485

(fax) (61 3) 9272 0749

New Zealand:

(tel) 0 800 738 378

(fax) (64 4) 495 8950

Asia Pacific:

(tel) (852) 3197 7777

(fax) (852) 2506 9284

Product specifications and descriptions in this document subject to change without notice.

Copyright © 1999, 2000 Agilent Technologies

Printed in U.S.A. 8/00

5968-6360E



Agilent Technologies

Innovating the HP Way